

TECHNICAL ASSISTANCE

If you have difficulty or need additional information please feel free to contact us. Most installation questions can be handled via email or phone call.

Contact Information:

Toll Free (US): 1-800-457-1690

Phone or FAX : 503-397-2918

Email: sales@dunestar.com

Web Page: www.dunestar.com

U.S. Mail: Dunestar Systems
P.O. Box 37
St. Helens, Oregon 97051

The logo for Dunestar, featuring the word "Dunestar" in a stylized, gothic-style font. A five-pointed star is positioned above the letter "a".

Manual Control

Model 800-BPF

for Model 600

OTHER PRODUCTS

Dunestar manufactures several types of RF filters, switching and accessories. Please contact us for further information.

The logo for Dunestar Systems, featuring the word "Dunestar" in a stylized, gothic-style font. A five-pointed star is positioned above the letter "a". Below "Dunestar" is the word "systems" in a smaller, lowercase, sans-serif font.

800-BPF Control

Manual Switch for Model 600

Thank you for choosing the Dunestar Model 800-BPF Bandpass Filter Selector. The 800-BPF controls all 6 of the band filters available in the Model 600 Remote Switchable Multiband Bandpass Filter. With just a few simple connections your 800-BPF will provide you with full selection of your system.



INSTALLATION:

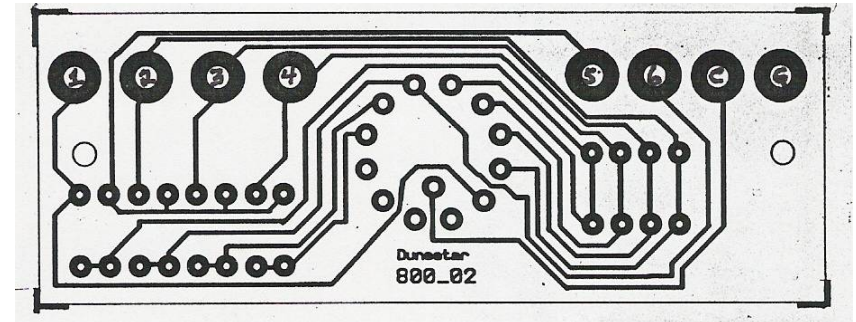
The 800-BPF enclosure is a two part clam shell design. To gain access, remove the 2 sheet metal screws. There is one on each side of the enclosure. The control cable is fed thru the opening on the rear panel. Placing a loose knot in the cable where it passes through the rear panel, will relieve strain on the terminals should the wire be pulled after installation.

Cable connections are made directly to the terminal studs on the circuit board. The terminal markings correspond to the cable coming from your Dunestar Model 600. For 'Positive' keying (Model 600 is shipped standard jumpered for 'Positive'), +12VDC input is attached to the terminal marked "C", the -12VDC (Gnd) goes to terminal "G". "G" is also used for the ground lead coming from the Model 600. Terminals "1", "2", "3", "4", "5", and "6" are for the select lines. +12VDC and -12VDC are reversed if you are using a Model 600 jumpered for 'Negative' keying. A 12VDC supply (100-ma maximum) is required. This can be a wall plug type universal supply or can be supplied from the station 12VDC auxiliary supply. It is recommended that a 1/4-amp fuse be placed in the +12VDC supply line for protection.

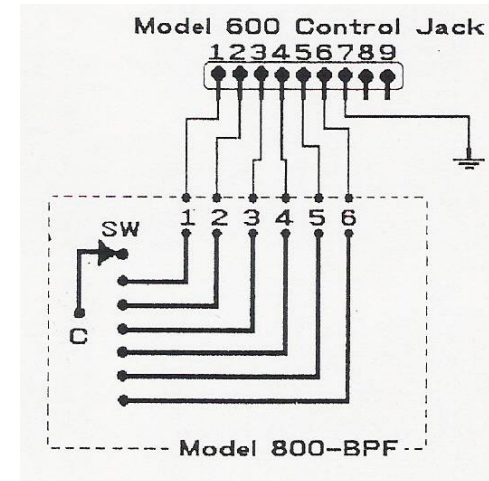
If you require additional information or help, please feel free to call, FAX or write.

Description:

The 800-BPF consists of a rotary switch to select the band filters available in the Model 600. The default or OFF (no power applied) selection provides a by-pass or 'failsafe' in the event of power supply or cable failure. This passes the transceiver output straight through to the amplifier or antenna and is also useful to receive or transmit outside the range of the filter sections, as in listening to WWV (refer to the schematic).



Rear View of PC board connections



Schematic of 800-BPF Selector